

# Gauge valves GT



## Functional Symbol



## Model Code

### GT-3 (M)-20

1 2 3 4

1 Gauge valve

2 Pressure gauge port diameter

2: G1/4

3: G3/8

4: G1/2

3 Valve

Omit: GT-2, GT-3, GY-4

M: GT-3M, GT-4M

V: GT-2V, GT-3V

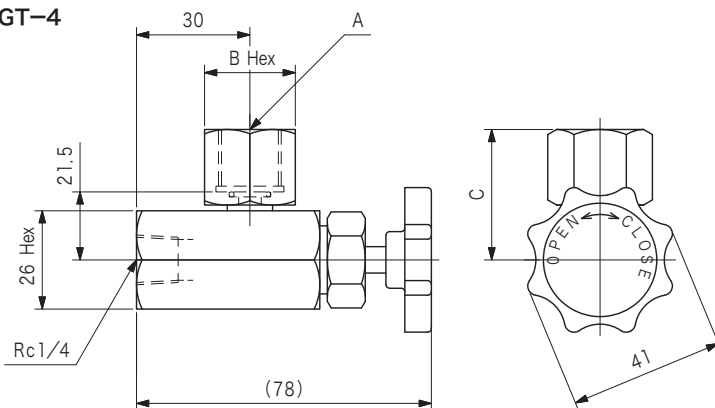
4 Design no.

## Specifications

Max. working pressure: 28 MPa

## Dimensions

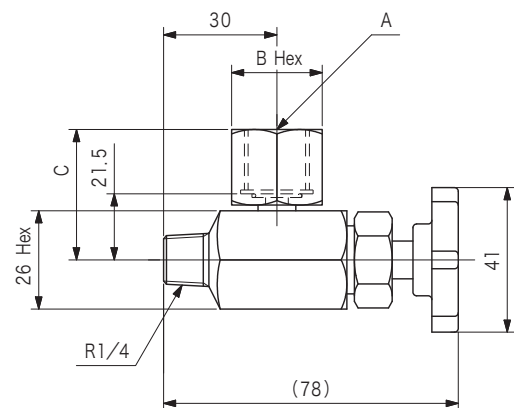
GT-2  
GT-3  
GT-4



Dimensions table

Model Code	A	B	C
GT-2	G1/4	21	32
GT-3	G3/8	26	34.5
GT-4	G1/2	26	36.5

GT-3M  
GT-4M

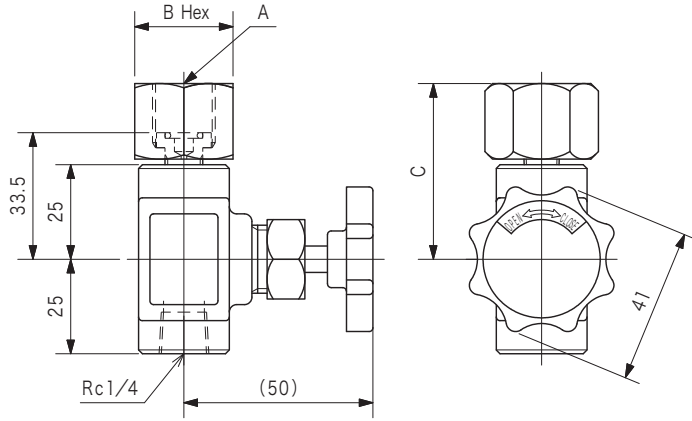


Dimensions table

Model Code	A	B	C
GT-3M	G3/8	26	34.5
GT-4M	G1/2	26	36.5

# Dimensions

GT-2V  
GT-3V



Dimensions table

Model Code	A	B	C
GT-2V	G1/4	21	44
GT-3V	G3/8	26	46.5