

Dear Customers**Notice of influence on our product by the weekly rollover of GPS satellites**

We thank you very much for choosing our products.

GPS Week Rollover is expected to occur at 23:59:42 UTC on April 6, 2019 (JST at 08:59:42 on April 7, 2019) as published on the official site of the US government. There is not the influence on our product by this GPS Week Rollover.

It may affect our "Automatic Identification System (AIS) model: TRA-2000" if not upgraded, as shown in the affect below when the system is rebooted after the occurrence time.

Model name: TOKYO KEIKI AIS type TRA-2000

As shipped from September 2005 to September 2011.

The AIS product serial numbers before s/n2535 and equipment with software of type TRA-2000 transponder (R4) earlier than Ver5.3.1

Affect : After the week rollover of GPS satellites, when turning off the main power and turning on again, the date on the operation screen may not be correct.

There is no problem with a short power off.

How to check the version: Refer to Attachment 1

※ For the version upgrade of the transponder(R4), we notified it on our website on July 15, 2015 and August 11, 2015. Please refer to the link below.

Tokyo Keiki's Website

2015.07.15 [Additional information on GPS Week Rollover Notice embedded in Tokyo Keiki's AIS TRA-2000](#)

2015.08.12 [Additional information about The GPS Week Rollover Notice embedded in AIS TRA-2000](#)

If you have further questions, please contact our Marine Sales or Marine Service Dept.

Contact information

TEL: +81-3-3737-8611 FAX: +81-3-3737-8663

<https://www.tokyokeiki.jp/e/products/marine/office.html>

Contact information website form

https://www.tokyokeiki.jp/e/webform_marine-e-serv.html

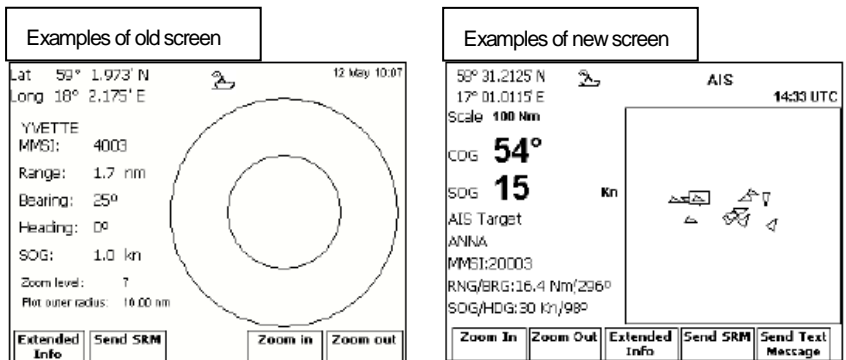
Contact US Government Official Site

<https://www.gps.gov/>

**Marine Systems Company
TOKYO KEIKI INC.**

Attachment 1

There are two types (old screen or new screen) on the screen display menu for TRA-2000(MKD).



【Confirmation items 1】

When the old screen is displayed, it is [Ver. 4]. It is necessary to upgrade it as having possibilities to be affected by the rollover.

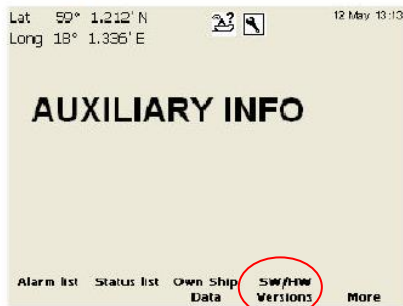
(Reference)

How to check in the menu of Ver.4

Auxiliary Info

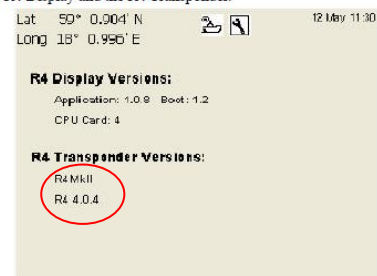
Entering Auxiliary Info when Engineering Mode is ON

1. Press (Page).
2. Press function key [Auxiliary Info].



SW/HW Versions

The SW/HW Versions view displays the different software and hardware versions currently installed in the R4 Display and the R4 Transponder.



【Confirmation items 2】

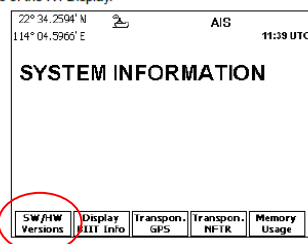
When the new screen is displayed, it is [Ver. 5].

If it is earlier than Version 5.3.1, it is necessary to upgrade it as having possibilities to be affected by the rollover.

How to check in the menu of Ver.5

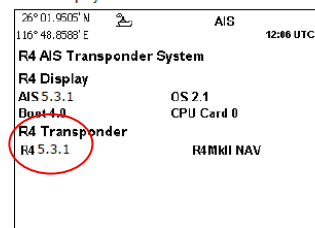
System Info

The System Information view provides subviews for general system information. It contains subviews for: viewing software and hardware versions, displaying the results of the R4 Display's last performed built-in integrity tests, showing the R4 Transponder's internal GPS reception, showing the R4 Transponder nonfunctioning times and for viewing the current memory usage of the R4 Display.



View software and hardware versions

1. Press the function key [SW/HW Versions].
2. The below view is displayed.



The view shows the software versions of the different components present in the R4 Display and R4 Transponder, and the display's hardware revision.