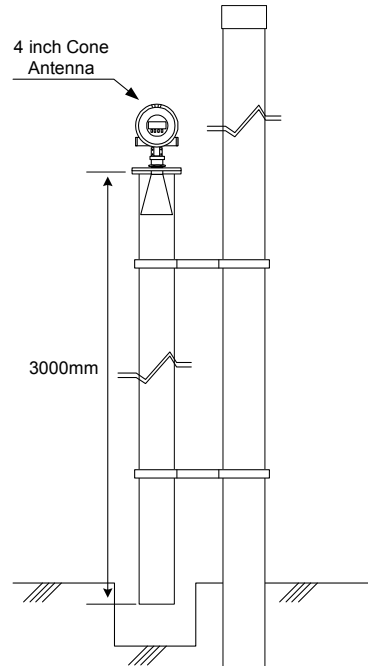


Radar Level Gauge Application Report 8

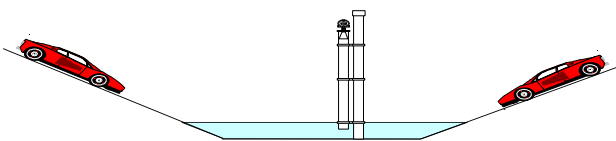
- Flood Alert System -



The MRG-10 micropower impulse radar level gauge features accurate, non-contact, level measurement with simple installation over a target fluid.

At this particular site, the MRG-10 radar gauge is used as part of a flood warning system. The gauge provides stable level measurement of water accumulation - unaffected by atmospheric conditions - in monitoring potential flood conditions.

Immediately alerted when flooding situations hazardous to road travel are detected, road control authorities are able to act quickly in issuing timely displays and warnings to drivers.



Ultrasonic level gauges are also frequently employed as a non-contact means of level measurement. This type of gauge measures the round-trip transiting time of high frequency sounds to and from the surface of a liquid and converts this into distance. Ultrasonic level gauges however are easily affected by fog, vapor, pressure, temperature changes, and other environmental factors.

Radar level gauges which incorporate electromagnetic waves (microwaves) on the other hand, do not require direct contact with liquids, density parameters or complex capacitance comparisons. Microwave-based level gauges are also least affected by ambient conditions.

In addition, the MRG-10 radar level gauge offers HART 2-wire loop communication protocol so customers can change any parameter from a central computer station with a PC and configuration software. The MRG-10's 4-key input menu display also allows parameter setting on site as an alternate method.

[Application Data]

Typical User : Road control authority
Target : Flood water

[Installation Data]

Main Unit : Radar Level Gauge MRG-10
Antenna : 4 inch cone antenna
Range : 3m

For more detailed information, please contact your local representative.

Representative in your Area