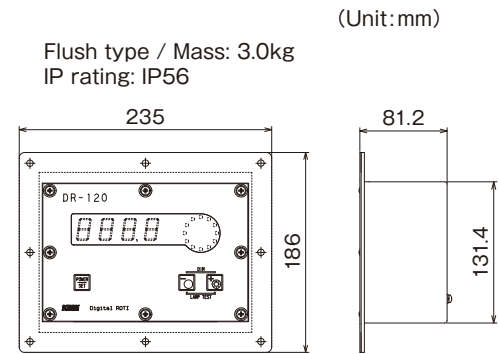


## Digital Rate Of Turn Indicator [DR-120]



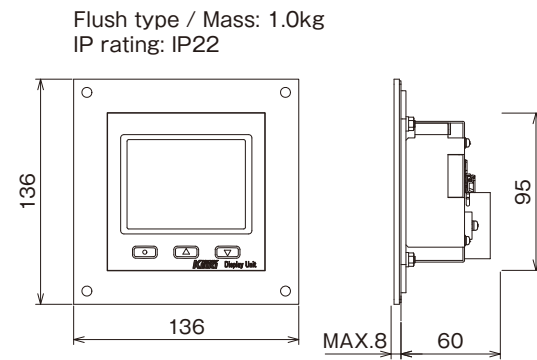
- Indicates vessel's turning rate in digital
- Numerical display in increments of 0.1 degree
- Compact design for easy installation (Captain's day room and steering gear room etc.)



## Universal Display [UD-10]



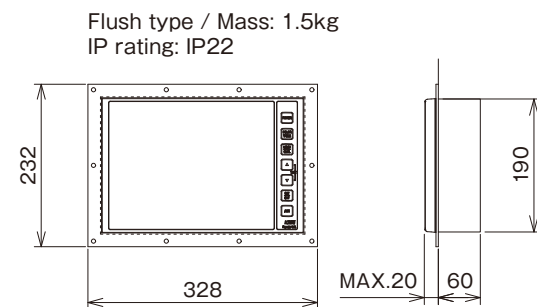
- Indicates analog style heading by 3.5 inch color LCD
- MED Type Approval for Gyro Compass and Magnetic Compass as an optional equipment
- Available as heading display of Magnetic Compass, instead of reflecting pipe
- Multi-level adjustable brightness by built-in button type dimmer switch



## Universal Display [UD-100]



- Indicates analog style heading by 10.4 inch color LCD
- MED Type Approval for Gyro Compass as an optional equipment
- Multi-level adjustable brightness by built-in button type dimmer switch



Design and specifications are subject to change without prior notice, and without any obligation on the part of the manufacturer.

**CAUTION** Before operating this equipment, you should first thoroughly read the operator's manual.

**TOKYO KEIKI**

TOKYO KEIKI INC.

Marine Systems Company

Head Office 2-16-46, Minami-Kamata, Ohta-ku, Tokyo 144-8551 JAPAN

TOKYO KEIKI (SHANGHAI) CO., LTD. C-1407, Orient International Plaza, No.85 Lou Shan Guan Rd., Shanghai 200336. CHINA

TOKYO KEIKI U.S.A., INC. 3452 E. Foothill Blvd. Suite 420 Pasadena, CA 91107 U.S.A.

Singapore Branch No.2 Jalan Rajah #07-26/28, Golden Wall Flatted Factory, Singapore 329134

Tel. +81-3-3737-8611 Fax. +81-3-3737-8663

Tel. +86-21-3223-1252 Fax. +86-21-6278-7667

Tel. +1-626-403-1500 Fax. +1-626-403-7400

Tel. +65-6254-1877 Fax. +65-6254-1745

[www.tokyoikei.jp/e/products/marine/](http://www.tokyoikei.jp/e/products/marine/)

March 2024 Cat. No.1524-3-E-2-B

**TOKYO KEIKI**

# GYROCOMPASS ACCESSORIES



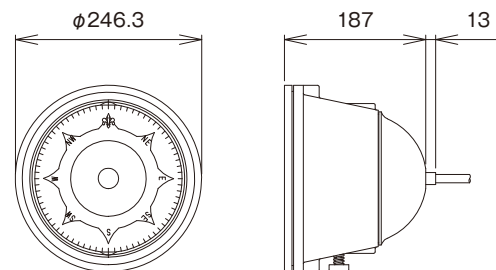
TOKYO KEIKI INC.

## Repeater Compass



- Compass card inside of device
- Heading indication received from master compass
- Various mounting configurations

Mass: 4.5kg  
IP rating: IP66



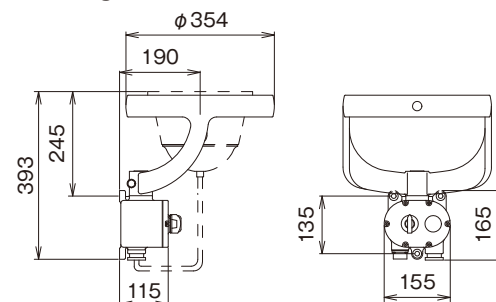
(Unit:mm)

## Repeater Mounting BB Type (BB: Bearing Bracket)



- Maintains Repeater Compass at the horizontal position
- Suitable for installation on bridge wall
- Easily measures target bearings with Azimuth Circle
- Easy to read under sunlight by Bearing Repeater Screen

Mass: 7.5kg  
IP rating: IP44

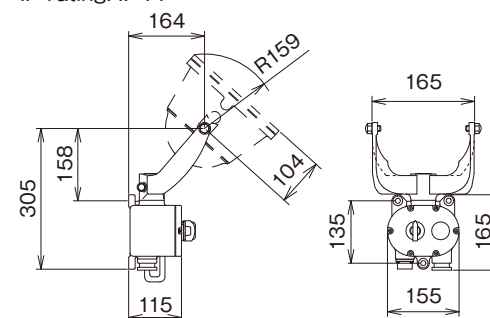


## Repeater Mounting MB Type (MB: Mounting Bracket)



- Adjustable to various Repeater Compass mounting angles
- Suitable for installation in steering gear room

Mass: 4.5kg  
IP rating: IP44

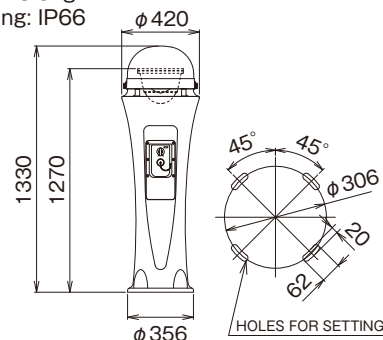


## Repeater Stand BH Type (BH: Bearing repeater Horizontal stand)



- Stand mounting for Repeater Compass
- Suitable for installation on bridge wing
- Easy to read under sunlight by Bearing Repeater Screen
- Easily measures celestial bodies / target bearings with Azimuth Circle

Mass: 23.5kg  
IP rating: IP66

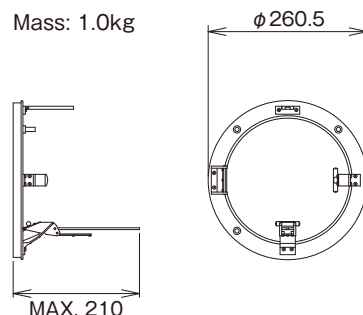


## Azimuth Circle [GAC-198]



- Useable with BB / BH Type repeaters
- Easy to measure celestial bodies / target bearings

Mass: 1.0kg

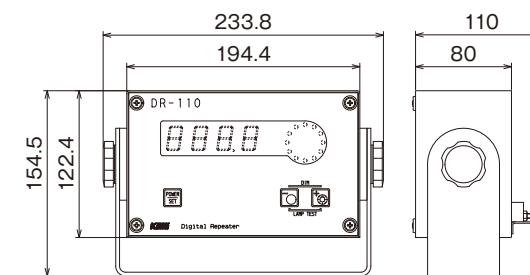


## Digital Repeater Compass [DR-110]



- Clear indication of digital display in increments of 0.1 degree (from 000°~359.9°)
- Easy to connect with Gyro Compass system
- Compact design to be installed anywhere
- Table mount / bulkhead / flush mount types are available
- Water-proof type (optional for bulkhead / flush mount type)

Table mount type / Mass: 2.5kg  
IP rating: IP4X



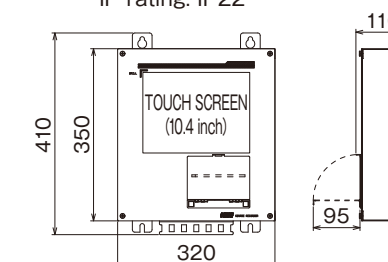
(Unit:mm)

## Digital Course Recorder [CR-100 / DCR-100]

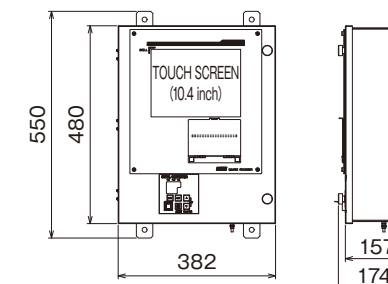


- Displaying and recording various information, like the date, hour, course, ship's heading, rudder angle(DCR only), etc.
- Easy for managing recorded data in digital format
- No need to buy consumable parts
- CF card used as recording media, durable for external use
- Is equipped with USB port to extract compact size data from CF card
- Possible to write and record information via the use of touch pen

[CR-100] Standard/ Bulkhead type / Mass: 7.4kg  
IP rating: IP22



[CR-150] Retrofit / Bulkhead type / Mass: 13.0kg  
IP rating: IP22



### CR-100 Series : Single Channel Course Recorder

CR-100 Standard type	Heading information, Time (Serial signal)
CR-150 Retrofit type	Heading information (Step & Synchro signal)
CR-180 Retrofit type	Heading information (Serial signal)

### DCR-100 Series : Dual Channel Course Recorder

DCR-100 Standard type	Heading information, Rudder angle information, Time (Serial signal)
DCR-150 Retrofit type	Heading information, Rudder angle information (Step & Synchro signal)

## Rate Of Turn Indicator [ROTI-320]



- Indicates vessel's turning rate in analog
- Complies with IMO performance standards
- Useful for maneuvering in narrow and congested areas
- Flush (with dimmer) / bulkhead(with or without dimmer) types are available
- Utilizes long life LED backlight
- Indicator specification as follows:  
Range scale  $\pm 30^{\circ}120^{\circ}300^{\circ}/\text{min}$ . MAX  
Scale length  $\pm 120\text{mm}$

Bulkhead type / Mass: 5.5kg  
IP rating: IP56

